

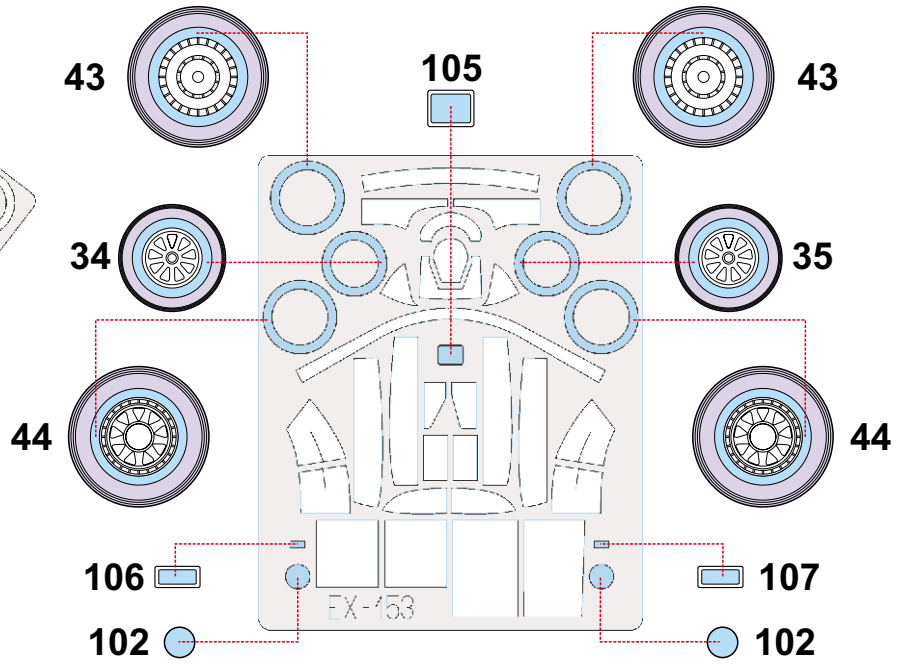
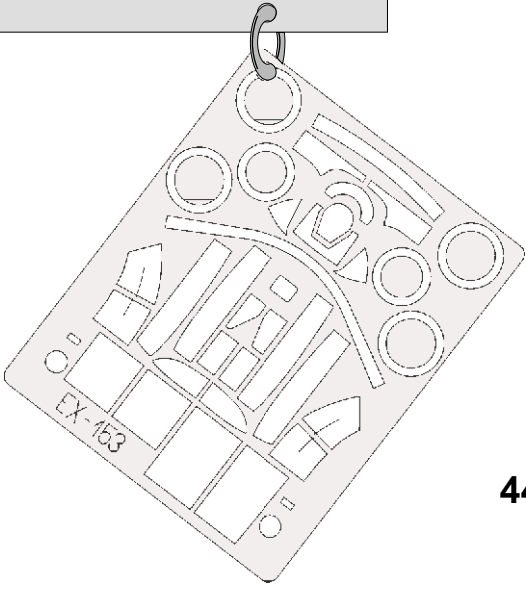
eduard
MASK

A-26C Invader 1/48

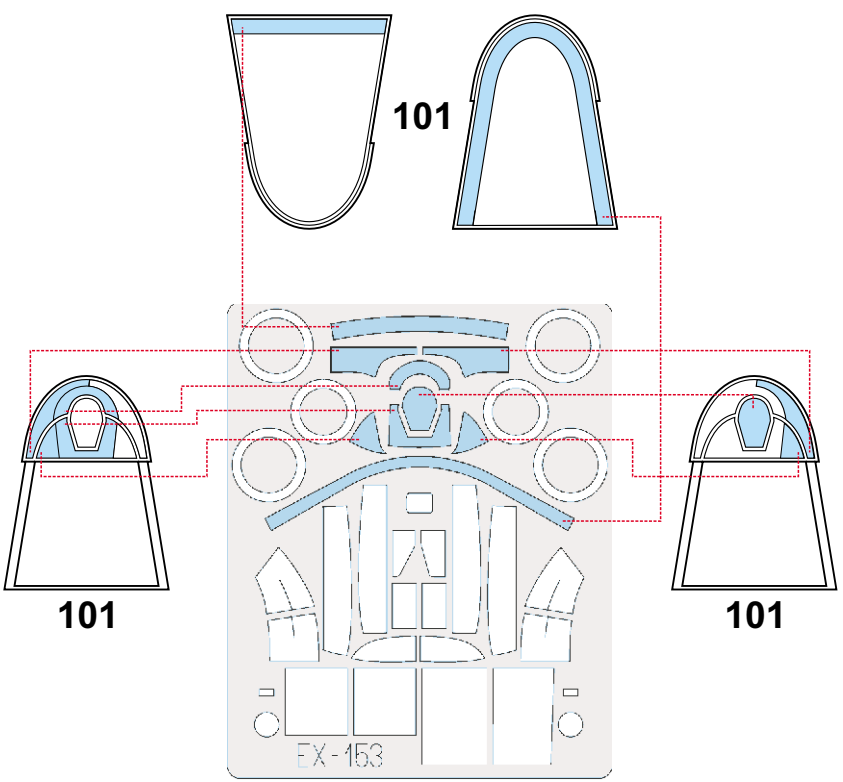
The die-cut mask for accurate canopy frame painting of the
Revell / Monogram 1/48 KIT

EX 153

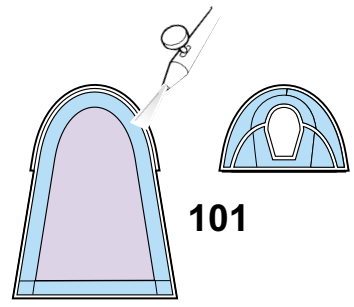
 - LIQUID MASK



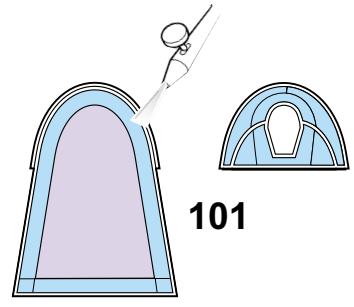
 - LIQUID MASK

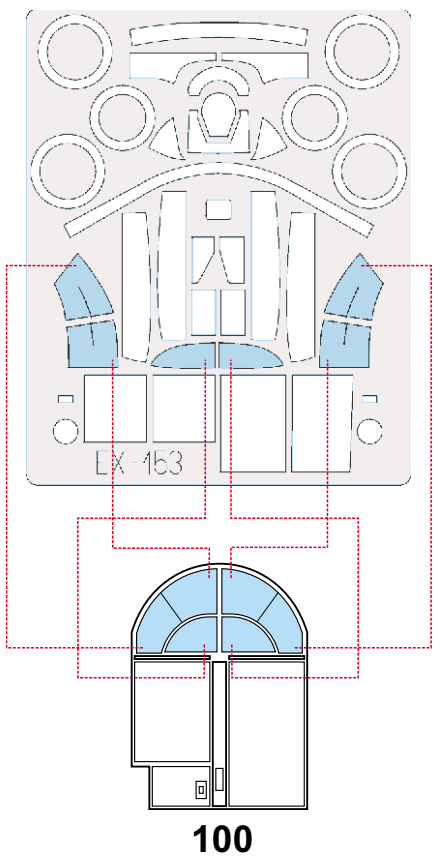
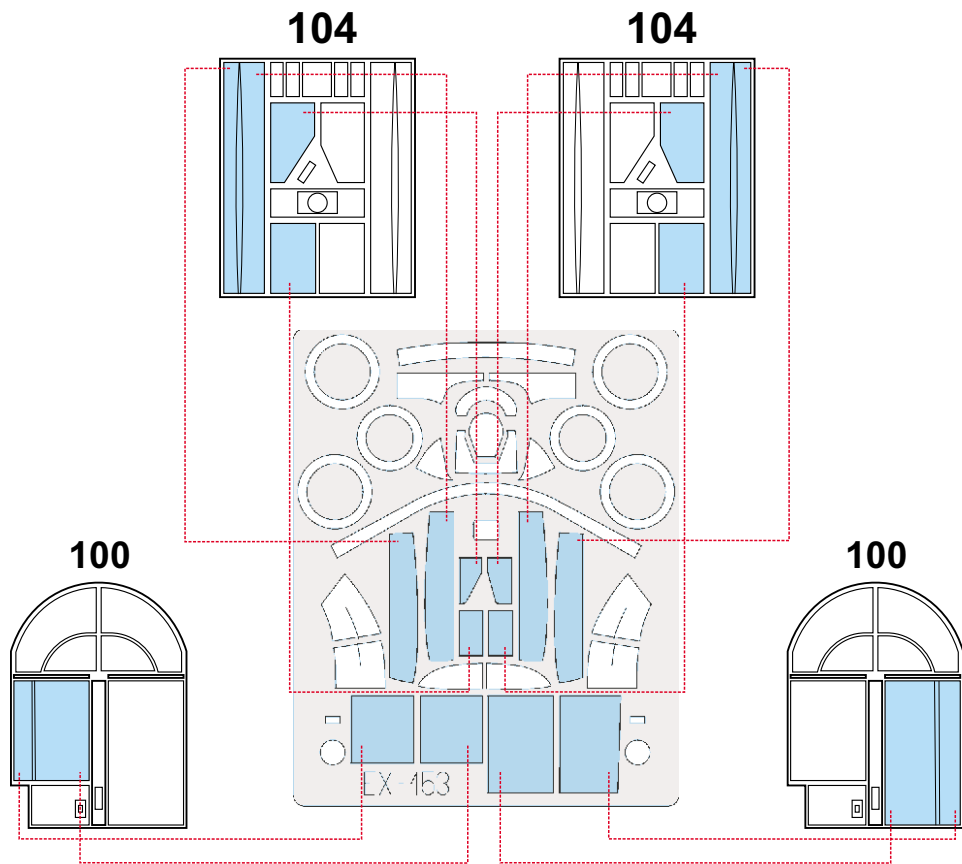


1.)
INTERIOR COLOR

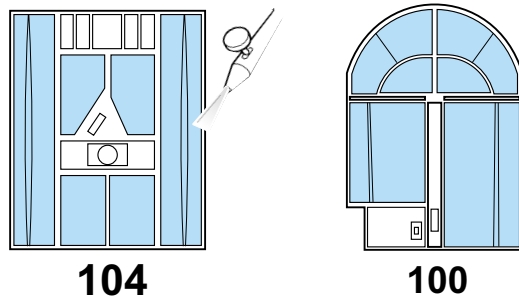


2.)
CAMOUFLAGE COLOR





1.) INTERIOR COLOR



2.) CAMOUFLAGE COLOR

