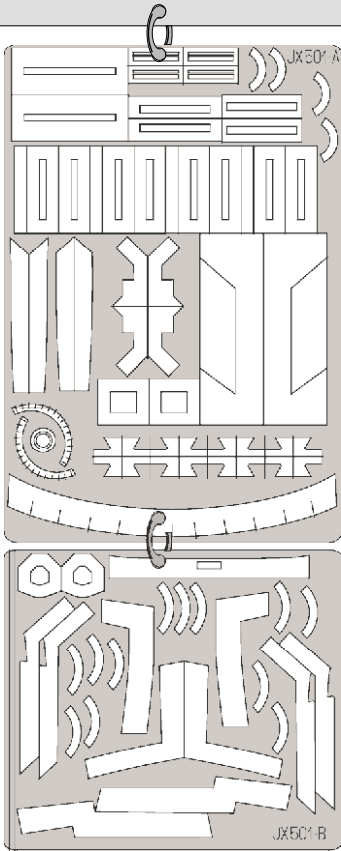


eduard
MASK

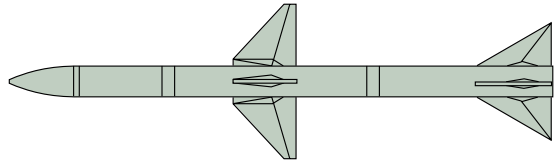
F-4 Phantom II useful areas 1/72

The die-cut mask for accurate canopy frame painting of the
Tamiya 61504 scale 1/32 KIT

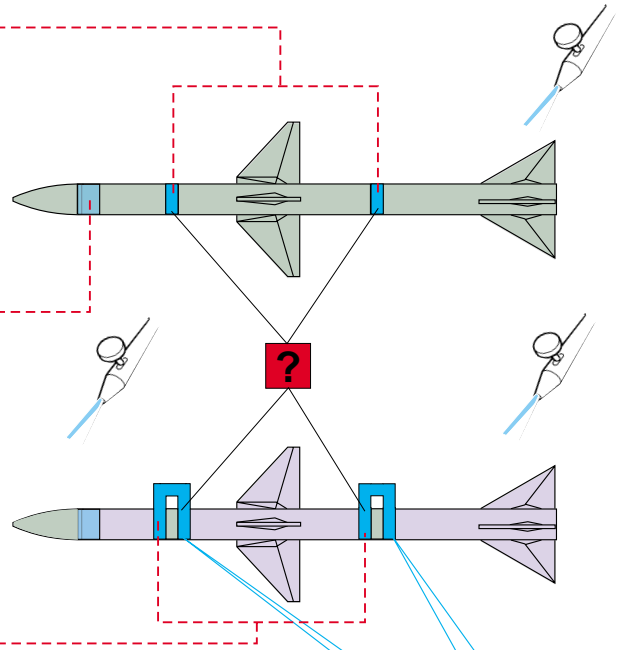
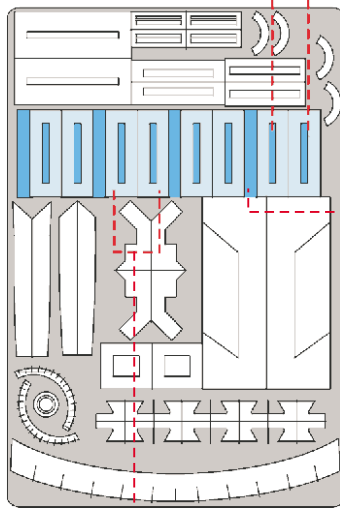
JX 501



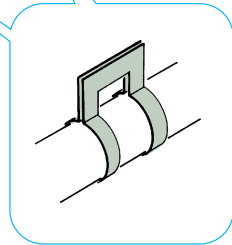
1.) SPARROW 4 pcs



2.)



LIQUID MASK



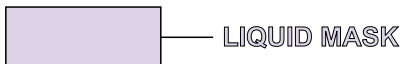
REFERENCES:

F-4 Phantom II - IN DETAIL&SCALE #4

REPLIC #53/1996

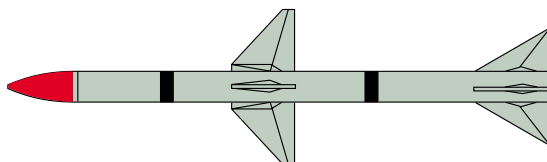
REPLIC #57/1996

REPLIC #125/2002



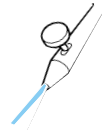
3.)

SPARROW

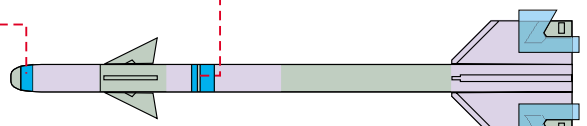
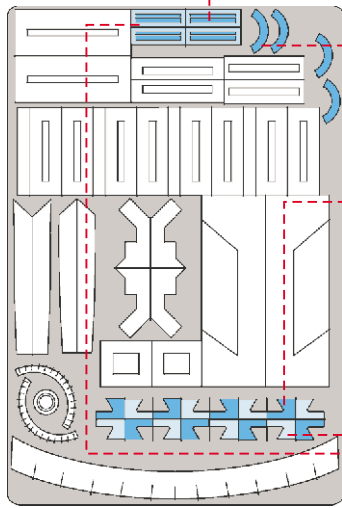


1.)

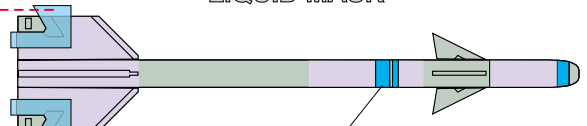
SIDEWINDER 4 pcs



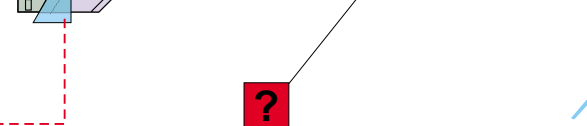
2.)



LIQUID MASK



LIQUID MASK

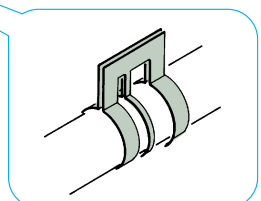
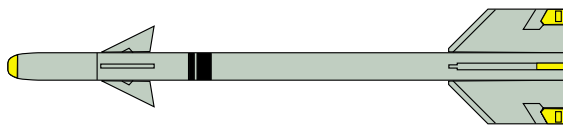


?



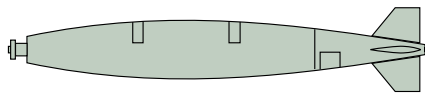
3.)

SIDEWINDER



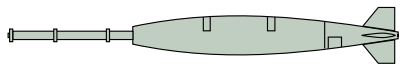
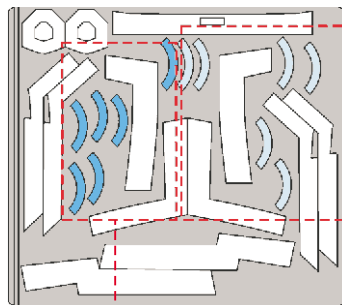
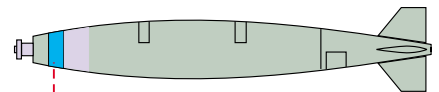
1.)

Mk.82 6 pcs

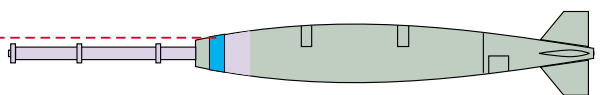
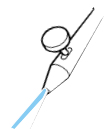


2.)

LIQUID MASK



Mk.82-fuse extension 6 pcs

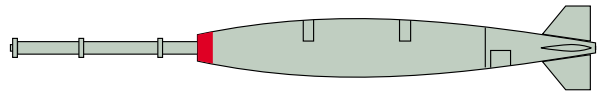
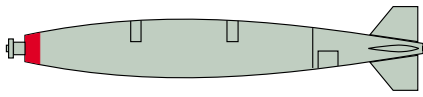


LIQUID MASK

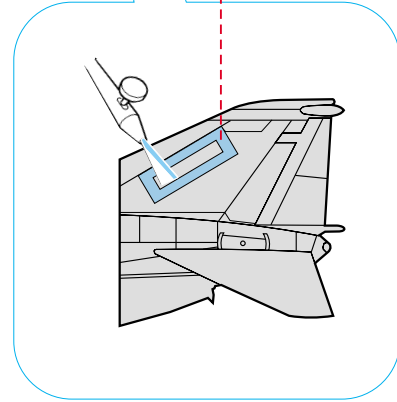
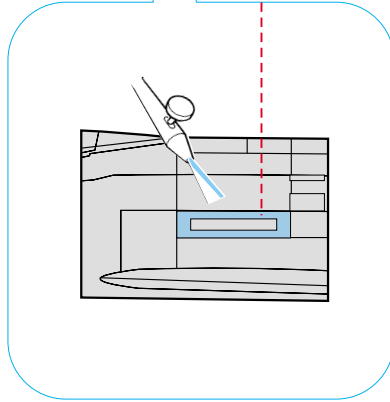
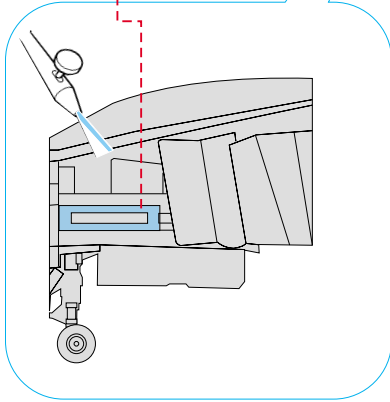
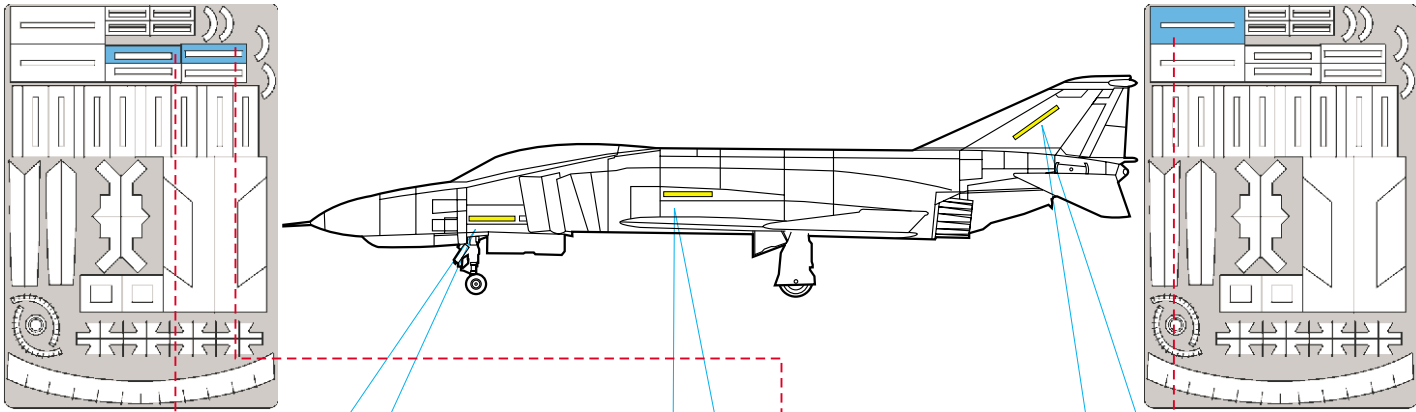
3.)

Mk.82

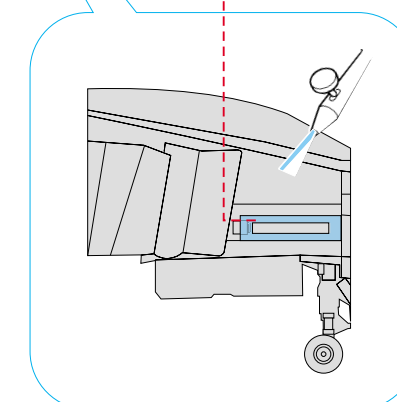
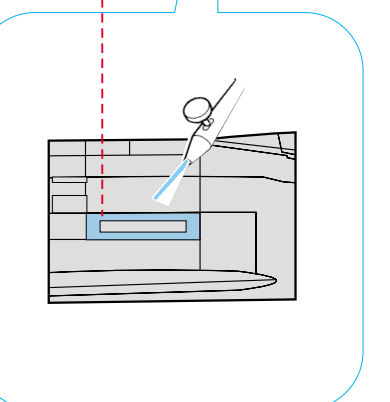
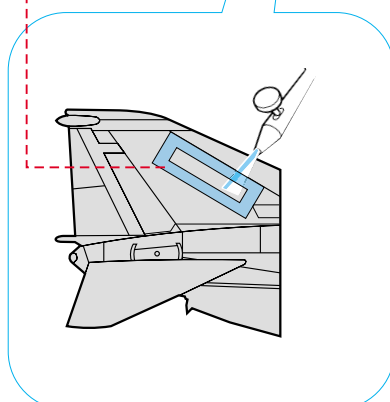
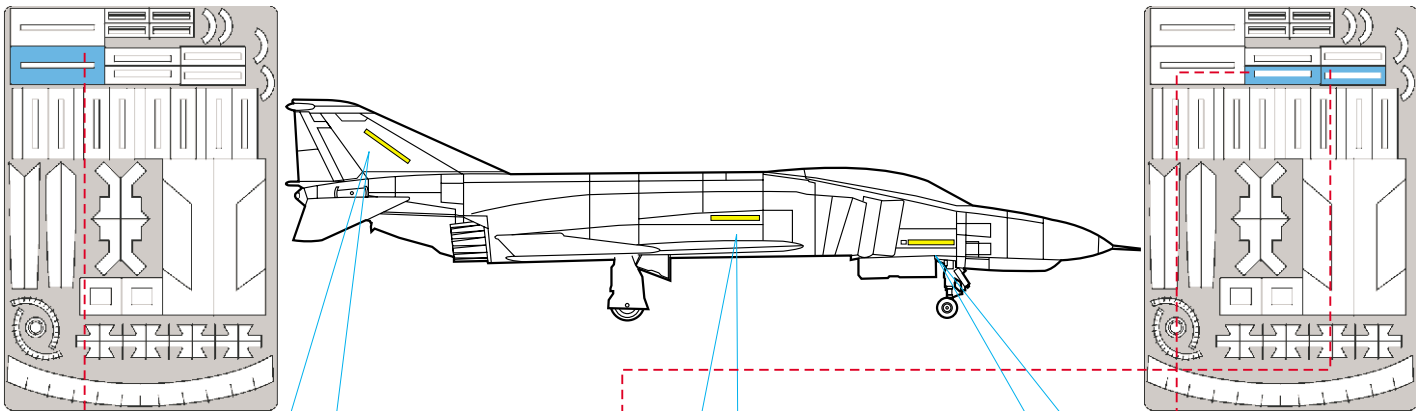
Mk.82-fuse extension

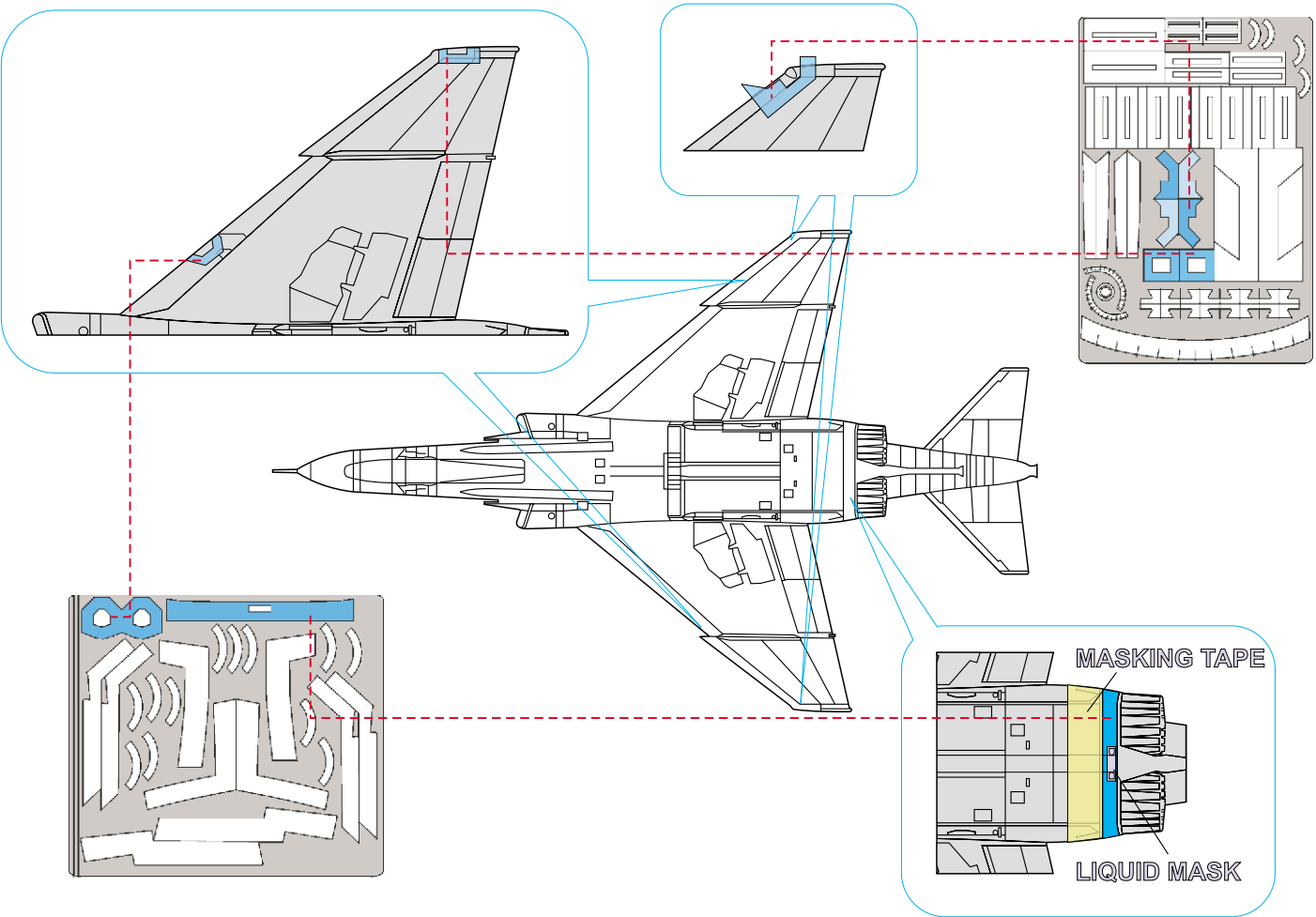
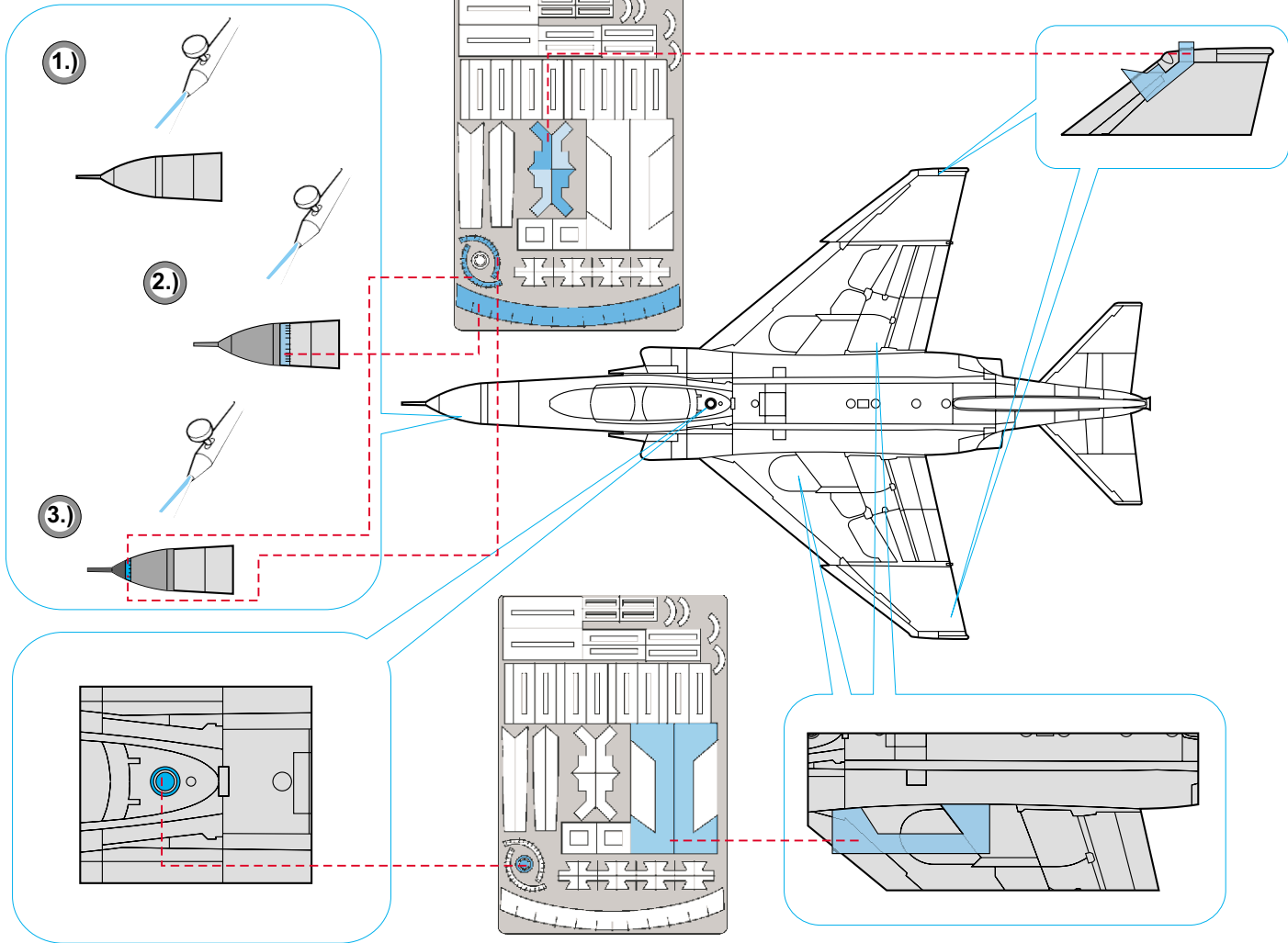


1.)

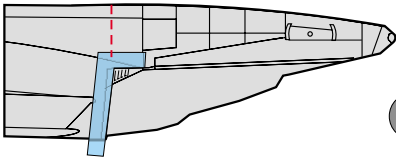


2.)

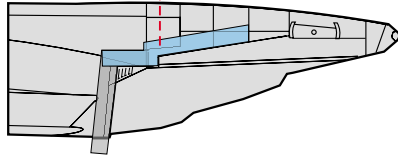




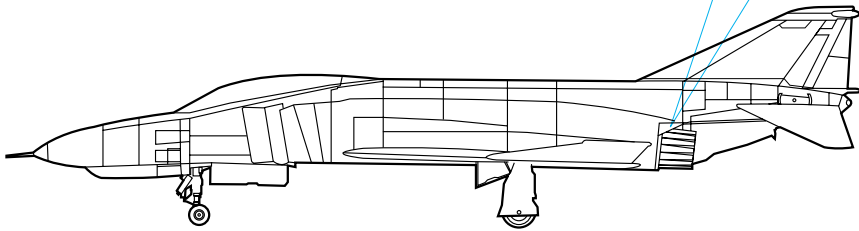
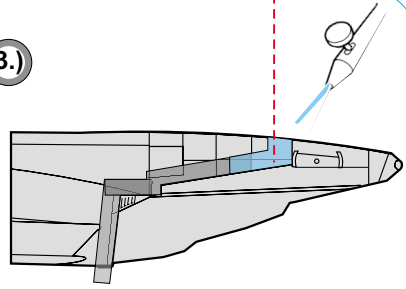
1.)



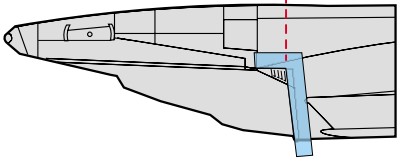
2.)



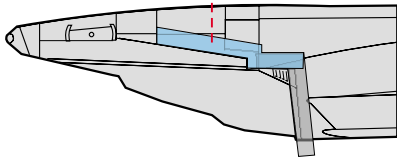
3.)



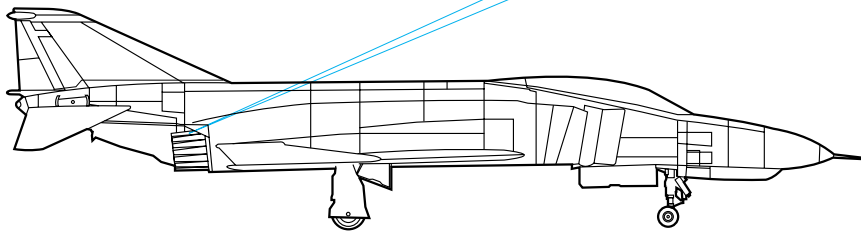
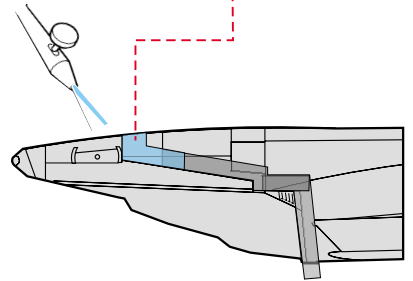
4.)



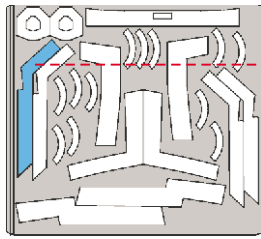
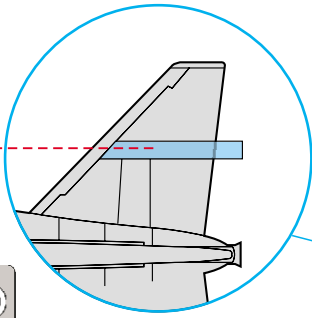
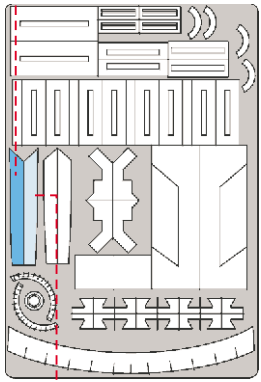
5.)



6.)

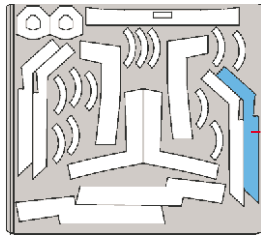
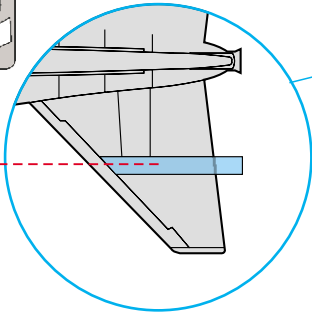
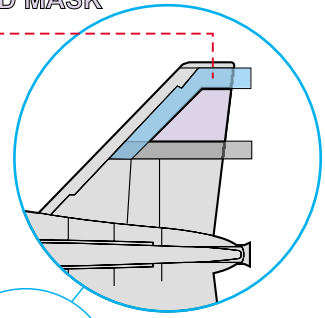


1.)

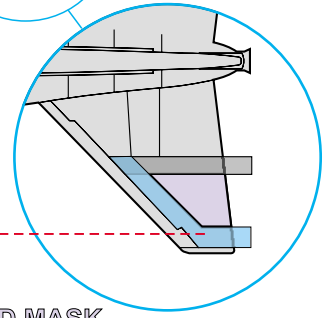


2.)

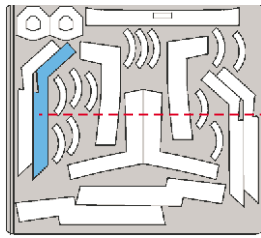
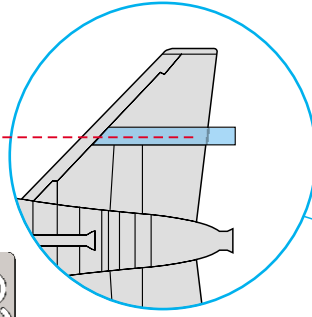
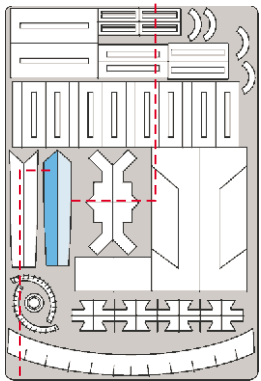
LIQUID MASK



LIQUID MASK

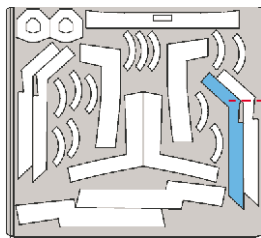
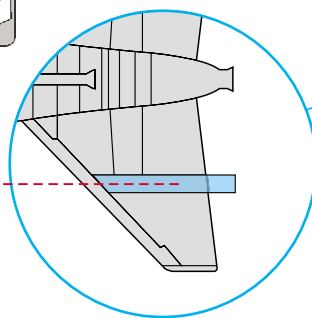
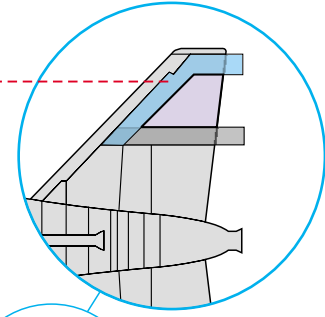


3.)



4.)

LIQUID MASK



LIQUID MASK

